

# 6 DEALER MANUAL FOR M800 (MM G530.200.C)

---



## CONTENT

---

<b>6.1 Introduction</b> .....	<b>2</b>	6.3.2 Cabling.....	6
<b>6.2 Specifications</b> .....	<b>3</b>	6.3.3 Motor Installation.....	6
6.2.1 Outline and geometric size.....	3	6.3.4 Drive Unit Cover Installation.....	7
6.2.2 Surface.....	4	6.3.5 Chain Wheel Installation.....	7
6.2.3 Storage Information.....	4	6.3.6 Crank Installation.....	8
<b>6.3 Drive Unit Installation</b> .....	<b>5</b>	6.3.7 External Speed Sensor Installation.....	9
6.3.1 List of Tools to be used.....	5	<b>6.4 Maintenance</b> .....	<b>10</b>

# 6.1 INTRODUCTION

---



- **Product Model**

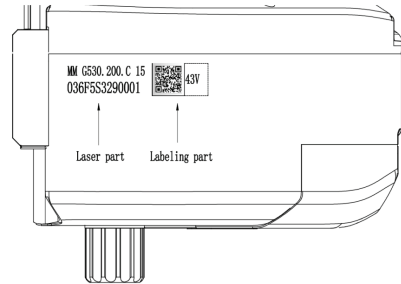
MM G530.200.C

- **Scope**

**i** Applies only to electrically powered bicycles, and specifically designed or licensed for Pedelec. It is suitable for road bikes on city roads, cement and asphalt roads and travel bikes on gravel roads. It should not be used commercial purposes.

- **Identification**

The following graphic, is the identification numbers of the product, which are shown on the housing:



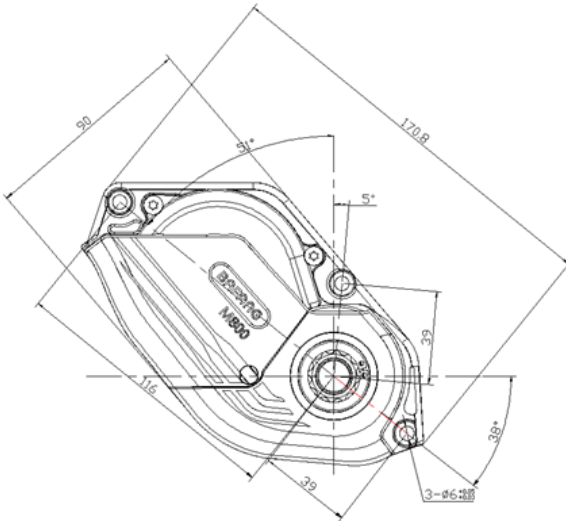
**Note:** Content in the label is important information about this product. Please do not remove the information from the motor.

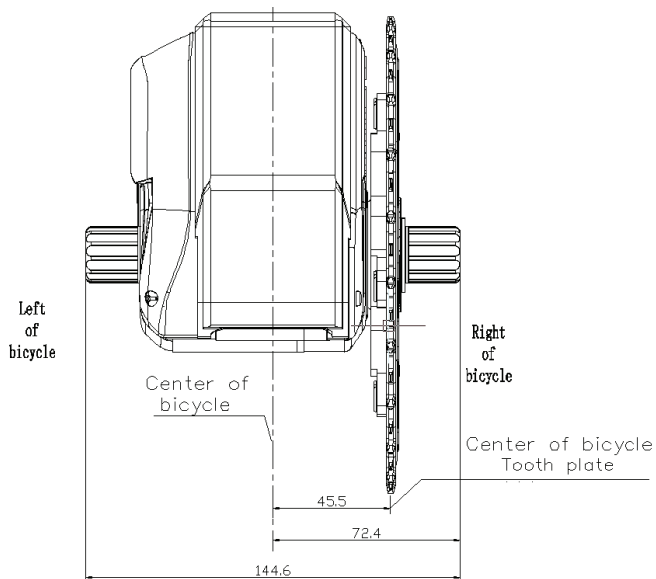
## 6.2 SPECIFICATIONS

Motor model: MM G530.200.C

Rated power (W)	200
Rated voltage (V)	36 / 43
Waterproof	IP65
Certification	EMC / ISO13849
Outdoor Temperatures	-20 °C ~45 °C

### 6.2.1 Outline and geometric size





Chain line(CL): 45.5mm

Shaft standard: BAFANG

## 6.2.2 Surface









Shockproof black coating

## 6.2.3 Storage Information

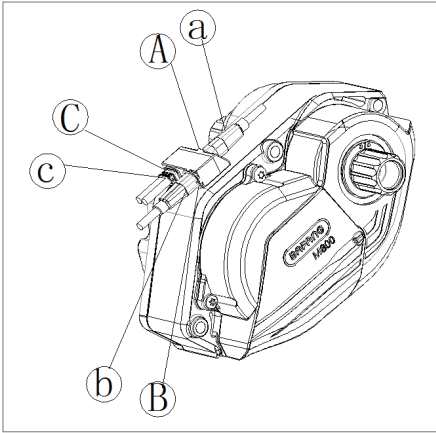
The pedelec should be stored in a ventilated dry room. Avoid storing the pedelec near strong magnetic objects.

## 6.3 DRIVE UNIT INSTALLATION

### 6.3.1 List of Tools to be used

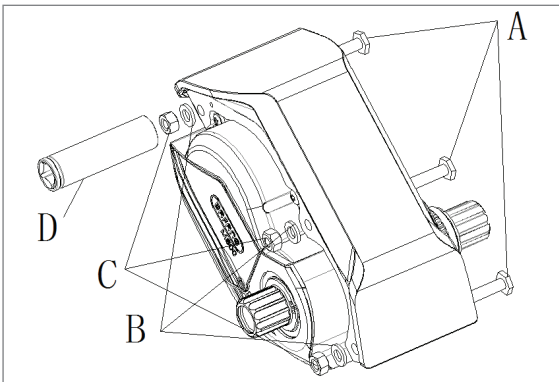
Use of the Tools	Tools
To tighten/loosen bolts onto the frame adapter and the drive unit	 Open spanner
To tighten/loosen nuts onto the frame adapter and the drive unit	 Socket spanner
To tighten/loosen motor cover	 Star screwdriver
To tighten/loosen lock-nut on chain wheel	 Special tools
To tighten/loosen screws on the center shaft	 Internal hex wrench
To tighten/loosen screws on the crank	 Internal hex wrench
To tighten/loosen screws on the speed sensor	 Cross screwdriver
	 Star screwdriver

### 6.3.2 Cabling



- Ⓐ Female 8 pin connector at the drive unit
- ⓐ Male 8 pin connector from EB-BUS to speed sensor
- Ⓑ Male 8 pin connector at the drive unit
- ⓑ Female 8 pin connector from EB-BUS
- Ⓒ Male connector for power supply at the drive unit
- ⓒ Female connector for power supply at the battery

### 6.3.3 Motor Installation



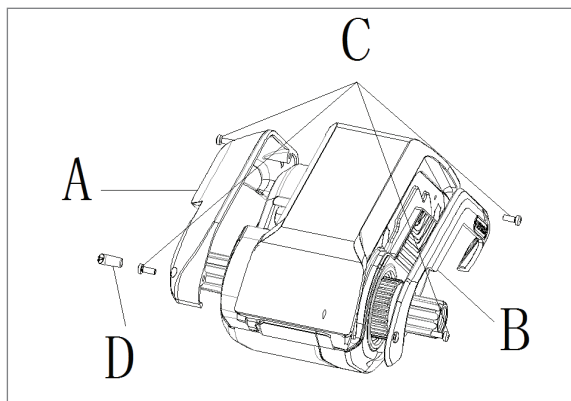
- Ⓐ M6 Special bolts
- Ⓑ M6 Flat washer for A
- Ⓒ M6 Lock-nuts
- Ⓓ Standard tool

1) Align the three mounting holes of the drive unit with the mounting holes in the bike frame. From the right of the bike frame insert three special M6 bolts into the mounting holes in the bike frame and the drive unit. Rotate the the M6 special bolts with an 11 mm open spanner, so that it can be installed into the inner hexagon mounting hole on the frame adapter.

2) From the left, fasten the three M6 Lock-nuts with flat washer on the bike frame.

The size of the standard tool for our company: outer diameter 14.5 mm and length 50 mm. Tightening torque requirement: 17-18 N.m.

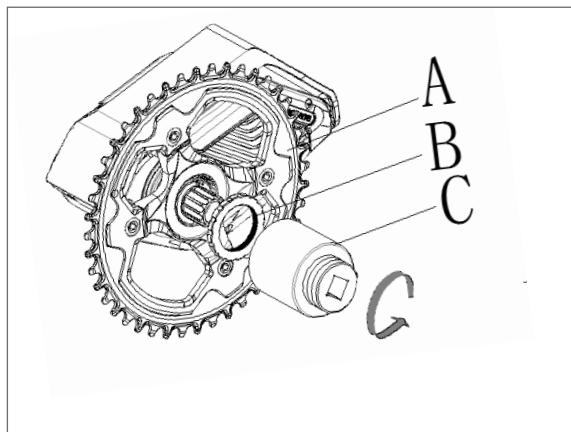
### 6.3.4 Drive Unit Cover Installation



- Ⓐ Left cover
- Ⓑ Right cover
- Ⓒ M3\*8 star pan head screws
- Ⓓ Rubber plug

- 1) Use a screwdriver (T10) and with three M3\*8 star pan head screws fasten the motor cover and the frame frame adapter together, the tightening torque requirement is 0.9-1.0 N.m.
- 2) Insert the rubber plug into the mounting hole on the cover, and make it flush with the end face of the cover.

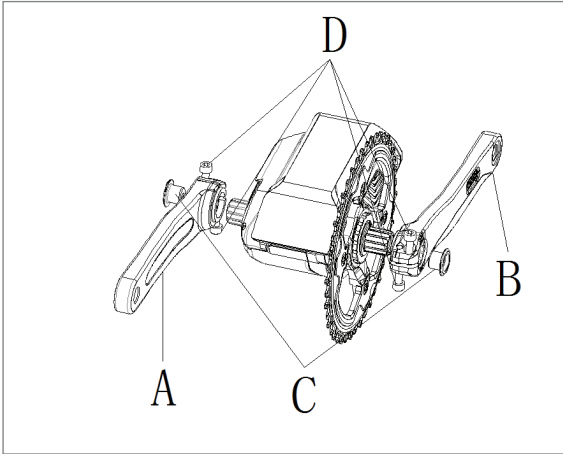
### 6.3.5 Chain Wheel Installation



- Ⓐ Chain wheel
- Ⓑ Lock ring
- Ⓒ Special tools

Put the chain wheel onto the spline shaft of the drive unit. Use a special tool to fasten the lock-nut onto the spline shaft. Torque requirement: 35 N.m.

### 6.3.6 Crank Installation

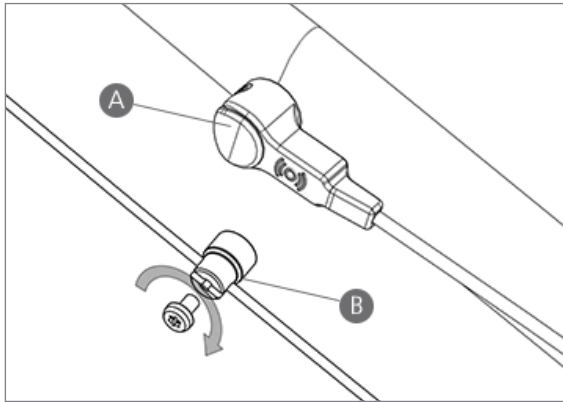


- A Left crank
- B Right crank
- C Screw for the crank
- D M6\*20 inner hexagon socket cap screws

Mount right crank on the right shaft, with internal hex wrench fasten the lock screws C on the shaft (tightening torque is 0.7-1.5 N.m) . with inner hex wrench fasten two M6\*20 hexagon socket cap screws alternately (note: do not fasten screws from unilateral at one time), tightening torque is 14-15 N.m. same way will left crank mount on the shaft (guarantee left and right crank parallel).



### 6.3.7 External Speed Sensor Installation



- A Speed sensor
- B Magnet for the speed sensor

Fasten the mounting screws through the speed sensor and with a cross screwdriver. Tightening the speed sensor onto the frame. Then place the rubber seal on the speed sensor hiding the screw. Torque requirement: 1.5-2 N.m.

(Note: Please make sure the gap between the speed sensor and the magnetic unit is between 10 and 20 mm. When the magnet is not the correct distance, this can cause Error 21)

Now place the magnet on the spoke of the wheel ensuring it is aligned to the middle of the speed sensor. And with a star key tighten the magnet in place. Torque requirement: 1.5-2 N.m.

# 6.4 MAINTENANCE

---

- Maintenance must be carried out by authorized personnel with the correct equipment.
- Do not disassemble the motor.
- Do not use thinners or other solvents to clean the components. Such substances can damage the surfaces.
- Avoid water submerging, to keep the components protected.
- Avoid using high-pressure cleaning jets.
- For prolonged storage, turn off the battery and avoid storing near heat sources.