

# 6 DEALER MANUAL FOR M620 (MM G510.750/1000/1300.C)

---



## CONTENT

---

<b>6.1 Introduction</b> .....	<b>2</b>	<b>6.3.2 Motor Installation</b> .....	<b>5</b>
<b>6.2 Specifications</b> .....	<b>3</b>	<b>6.3.3 Cabling</b> .....	<b>7</b>
6.2.1 Outline and geometric size.....	3	<b>6.3.4 Motor Cover Installation</b> .....	<b>9</b>
6.2.2 Surface.....	4	<b>6.3.5 Chain Wheel Installation</b> .....	<b>10</b>
6.2.3 Storage Information.....	4	<b>6.3.6 Crank Installation</b> .....	<b>10</b>
<b>6.3 Drive Unit Installation</b> .....	<b>5</b>	<b>6.3.7 External Speed Sensor Installation</b> .....	<b>11</b>
6.3.1 List of Tools to be used.....	5	<b>6.4 Maintenance</b> .....	<b>12</b>

# 6.1 INTRODUCTION

---



- **Product Model**

MM G510.750.C

MM G510.1000.C

MM G510.1300.C

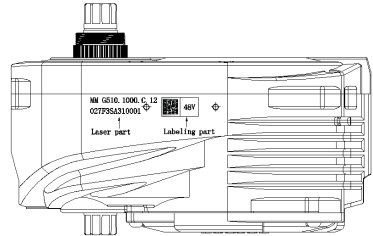
- **Scope**



Applies only to electrically powered pedelecs developed or licensed by Bafang. It is suitable for speed and cargo bikes, which have been developed for road use. The engine is not suitable for sport competitions.

- **Identification**

The following graphic, is the identification numbers of the product, which are shown on the housing:



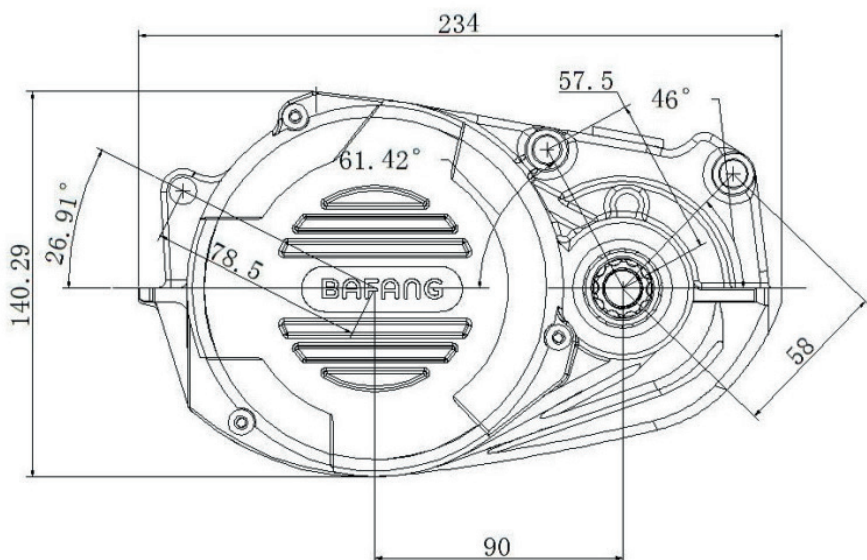
**Note:** Content in the label is important information about this product. Please do not remove the information from the motor.

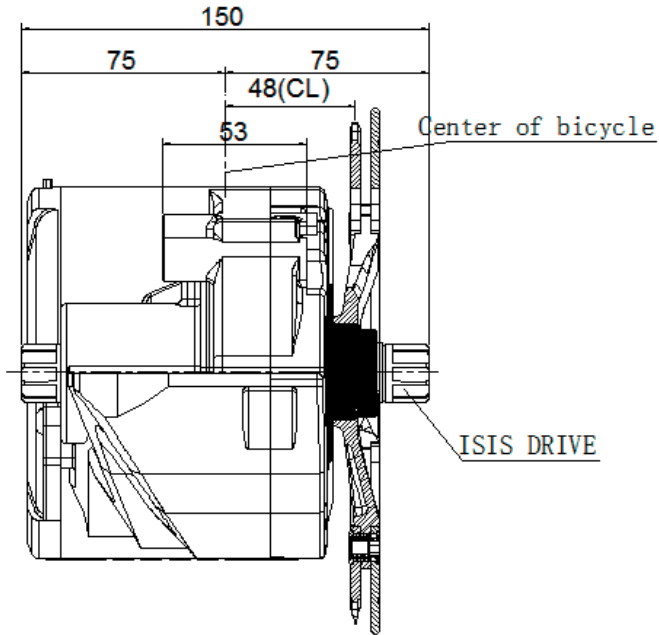
## 6.2 SPECIFICATIONS

Motor model: MM G510 .750 / 1000 / 1300.C

Rated power (W)	750 / 1000 / 1300
Rated voltage (V)	48 / 52
Waterproof	IP65
Certification	CE / ROHS / EN14766
Outdoor Temperatures	-20 C~45 C

### 6.2.1 Outline and geometric size





Chain line(CL): 48 / 70mm

Shaft standard: ISIS

## 6.2.2 Surface






Shockproof black coating

## 6.2.3 Storage Information

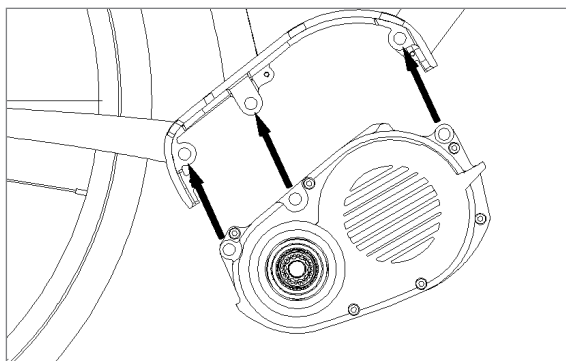
The pedelec should be stored in a ventilated dry room. Avoid storing the pedelec near strong magnetic objects.

## 6.3 DRIVE UNIT INSTALLATION

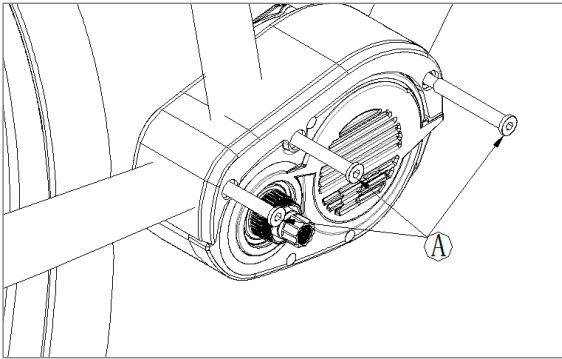
### 6.3.1 List of Tools to be used

Use of the Tools	Tools
To fasten bolts onto the frame adapter and the drive unit	 Internal hex wrench
To fasten nuts onto the frame adapter and the drive unit	 Socket spanner
To fasten screws on the motor cover and cable cover	 Cross screwdriver
To fasten or remove lock nuts on the chain wheel	 Special tools
To fasten M15 nuts onto the cranks	 Internal hex wrench

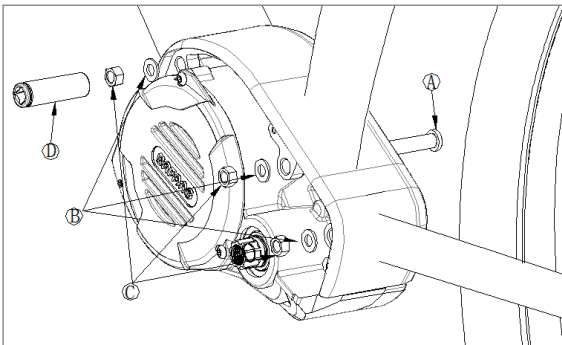
### 6.3.2 Motor Installation



1) Mount the motor on the frame.



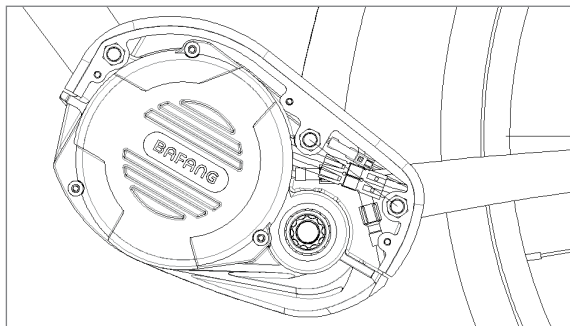
2) Align the three mounting holes of the drive unit with the mounting holes in the bike frame. From the right of the bike frame insert three special M8 bolts (A) into the mounting holes in the bike frame and the drive unit.



- A M8 Special bolts
- B M8 Flat washer-A
- C M8 Locknuts
- D Standard tool

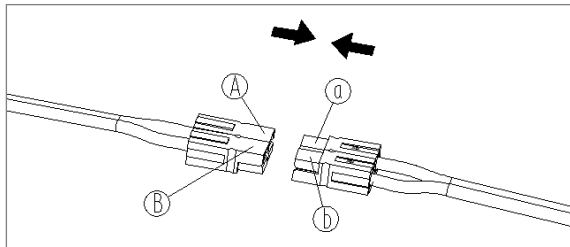
3) From the left, fasten the three M8 Lock-nuts with a flat washer on the bike frame. Tightening torque: 35 N.m.

### 6.3.3 Cabling



Note: Please attention and make sure that the cable cannot be squeezed by the motor and frame.

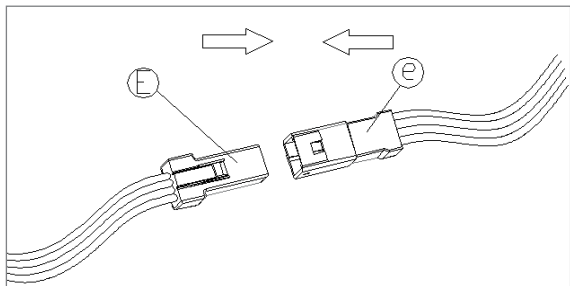
#### 6.3.3.1 Connection of the battery cables to the motor



- Ⓐ The male connector (red/positive) from the battery
- ⓐ The male connector (red/positive) from the motor
- Ⓑ The female connector (black/negative) from the battery
- ⓑ The female connector (black/negative) from the motor

Please connect the connectors from the motor and battery together.

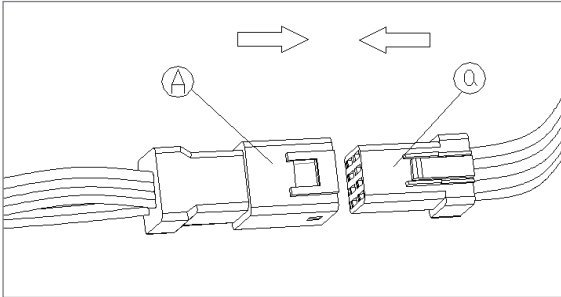
#### 6.3.3.2 Connection of the speed sensor to the motor



- Ⓔ The female connector from the motor
- ⓔ The male connector from the speed sensor

Please connect the connectors from the motor and the speed sensor together.

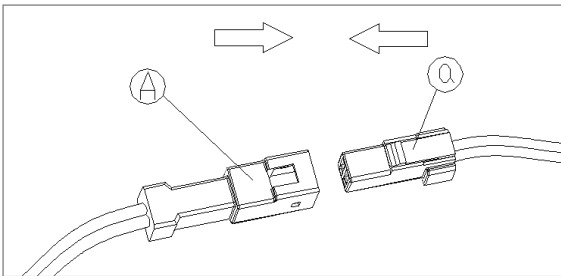
### 6.3.3.3 Connection of the EB-BUS to the motor



- Ⓐ The male connector from the motor
- ⓐ The female connector from the EB-BUS cable

Please connect the connectors from the motor and EB-BUS cable together.

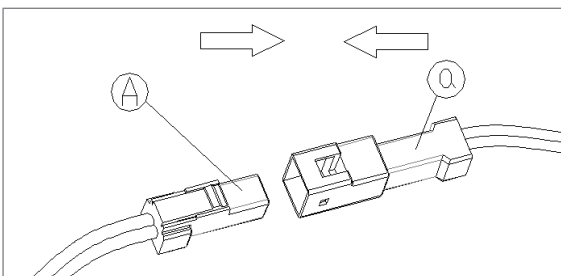
### 6.3.3.4 Connection of the headlight cable to the motor



- Ⓐ The male connector from the motor
- ⓐ The female connector from the headlight cable

Please connect the connectors from the motor and the headlight cable together.

### 6.3.3.5 Connection of the taillight cable to the motor

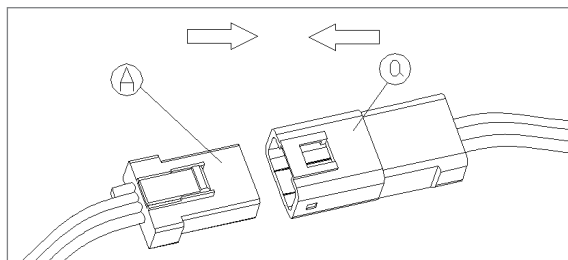


- Ⓐ The female connector from the motor
- ⓐ The male connector from the taillight cable

Please connect the connectors from the motor and the taillight cable together.



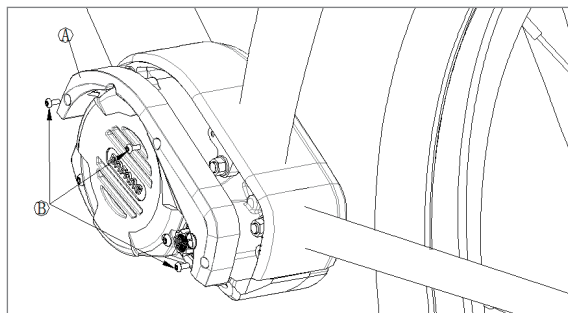
### 6.3.3.6 Connection of the communication to the motor



- Ⓐ The female connector from the battery BMS
- ⓐ The male connector from the motor

Please connect the connectors from the motor and the battery BMS together.

### 6.3.4 Motor Cover Installation

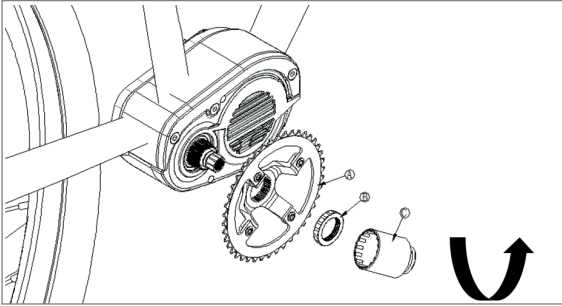


- Ⓐ Motor cover
- Ⓑ M3\*8 star socket screws

Fasten the motor-cover with three screws M3\*8 into in the frame adapter.

The torque requirement:1.5 N.m.

### 6.3.5 Chain Wheel Installation

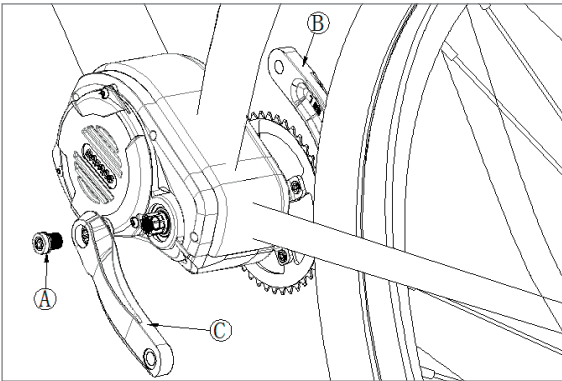


- A Chain wheel
- B Lock nut
- C Special tool

Put the chain wheel onto the spline shaft of the drive unit. Use a special tool to fasten the lock nut onto the spline shaft. Torque: 35 Nm.

**!** An impact wrench cannot be used.

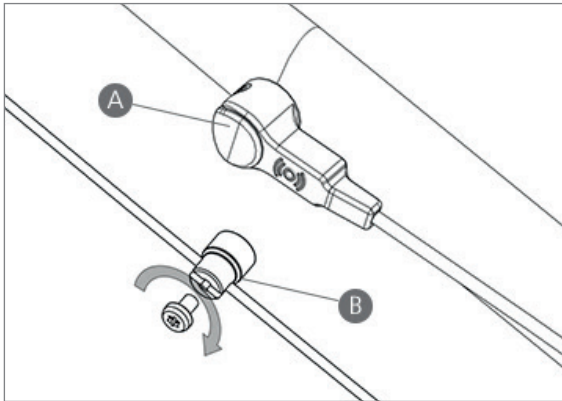
### 6.3.6 Crank Installation



- A M15 inner hexagon screws
- B Right crank
- C Left crank

Mount the crank (B,C) on the axle, tighten M15 inner hexagon screws at both sides of the motor. (torque requirement: 45-50N.m)

## 6.3.7 External Speed Sensor Installation



- A Speed sensor
- B Magnet for the speed sensor

Fasten the mounting screws through the speed sensor and with a cross screwdriver. Tightening the speed sensor onto the frame. Then place the rubber seal on the speed sensor hiding the screw. Torque requirement: 1.5-2 N.m.

(Note: Please make sure the gap between the speed sensor and the magnetic unit is between 10 and 20 mm. When the magnet is not the correct distance, this can cause Error 21)

Now place the magnet on the spoke of the wheel ensuring it is aligned to the middle of the speed sensor. And with a star key tighten the magnet in place. Torque requirement: 1.5-2 N.m.

# 6.4 MAINTENANCE

---

- Maintenance must be carried out by authorized personnel with the correct equipment.
- Do not disassemble the motor.
- Do not use thinners or other solvents to clean the components. Such substances can damage the surfaces.
- Avoid water submerging, to keep the components protected.
- Avoid using high-pressure cleaning jets.
- For prolonged storage, turn off the battery and avoid storing near heat sources.