

# 6 DEALER MANUAL FOR M200 (MM G210.250.C)

---



## CONTENT

---

<b>6.1 Introduction</b> .....	<b>2</b>	<b>6.3.2 Motor Installation</b> .....	<b>5</b>
<b>6.2 Specifications</b> .....	<b>3</b>	<b>6.3.3 Cabling</b> .....	<b>6</b>
6.2.1 Outline and geometric size.....	3	<b>6.3.4 Motor Cover Installation</b> .....	<b>6</b>
6.2.2 Surface.....	4	<b>6.3.5 Chain Wheel Installation</b> .....	<b>7</b>
6.2.3 Storage Information.....	4	<b>6.3.6 Crank Installation</b> .....	<b>7</b>
<b>6.3 Drive Unit Installation</b> .....	<b>5</b>	<b>6.3.7 External Speed Sensor Installation</b> .....	<b>8</b>
6.3.1 List of Tools to be used.....	5	<b>6.4 Maintenance</b> .....	<b>9</b>

# 6.1 INTRODUCTION

---



- **Product Model**

MM G210.250.C

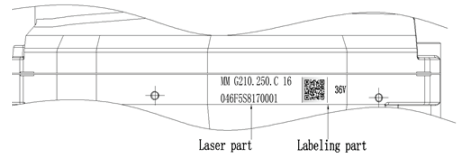
- **Scope**



Applies only to electrically powered pedelecs developed or licensed by Bafang. It is suitable for city bikes, which have been developed for road use. The engine is not suitable for sport competitions.

- **Identification**

The following graphic, is the identification numbers of the product, which are shown on the housing:



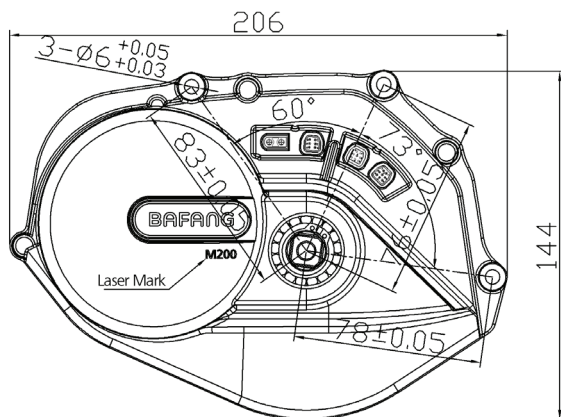
**Note:** Content in the label is important information about this product. Please do not remove the information from the motor.

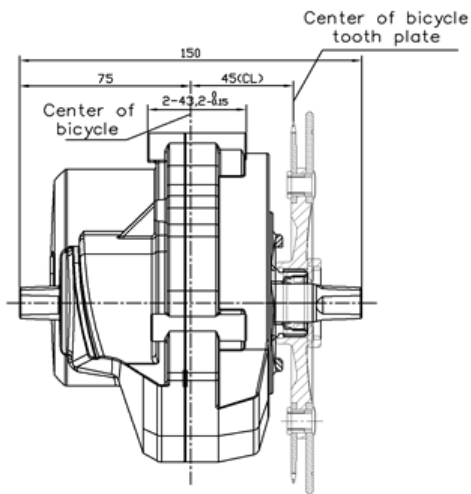
## 6.2 SPECIFICATIONS

① Motor model: MM G210.250.C

Rated power (W)	250
Rated voltage(V)	36 / 43
Waterproof	IP65
Certification	CE / ROHS / EN14764
Outdoor Temperatures	-20℃~45℃

### 6.2.1 Outline and geometric size





Chain line(CL): 45/48/49mm

Shaft standard: JIS

## 6.2.2 Surface






Shockproof black coating

## 6.2.3 Storage Information

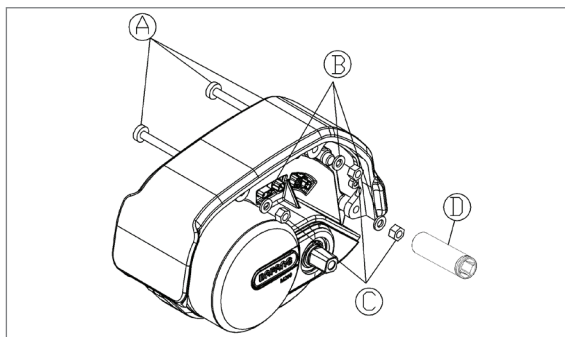
The pedelec should be stored in a ventilated dry room. Avoid storing the pedelec near strong magnetic objects.





## 6.3 DRIVE UNIT INSTALLATION

### 6.3.1 List of Tools to be used

Use of the Tools	Tools
To fasten screw onto the frame adapter and the drive unit	 5 mm Internal hex wrench
To fasten screws on the crank Mounting	 8 mm Internal hex wrench
To fasten screws on the motor cover	 T20 Torx screwdriver
To fasten or remove lock ring on the chain ring	 TL-UNIS Special tools
To fasten nuts onto the frame adapter and the drive unit	 Socket spanner (standard tools)

### 6.3.2 Motor Installation



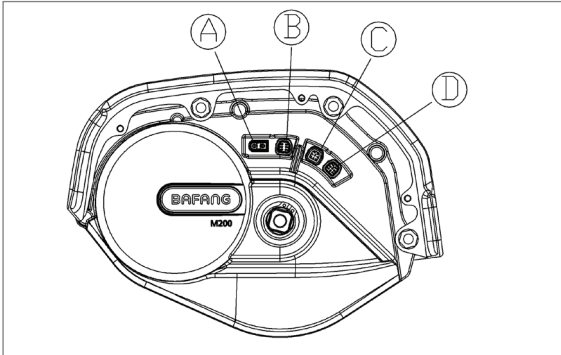
-  M6 Special bolts
-  M6 Flat washer
-  M6 Locknuts
-  Standard tool

1) Align the three mounting holes of the drive unit with the mounting holes in the bike frame. From the right of the bike frame insert three special M6 bolts into the mounting holes in the bike frame and the drive unit.

2) From the left, fasten the three M6 Standard hexagon Locknuts (Strength level 10) with flat washer on the bike frame.

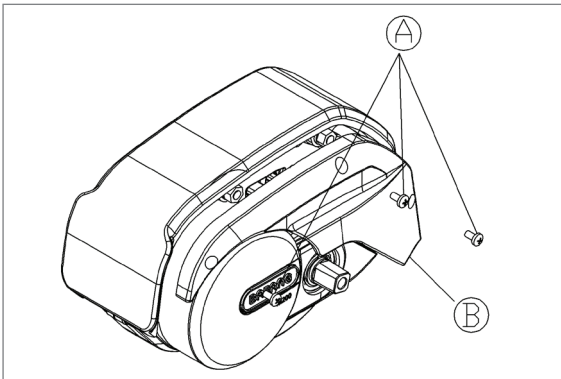
The size of the standard tool: outer diameter 14.5 and length 50. Tightening torque: 17-18 N.m.

### 6.3.3 Cabling



- A Male connector at the drive unit (power)
- B Male connector (6 pin) at the drive unit (electronic brake)
- C Female connector (8 pin) at the drive unit (rear light, speed sensor, battery communication)
- D Male connector (8 pin) at the drive unit (front light, display)

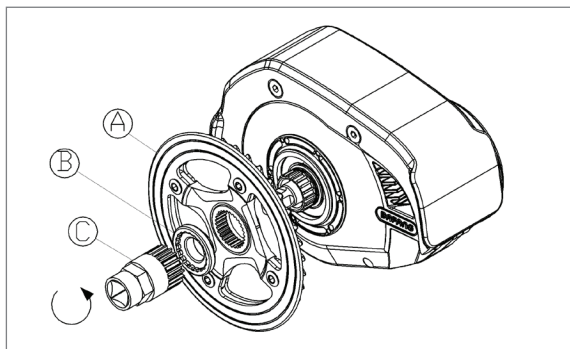
### 6.3.4 Motor Cover Installation



- A M4\*8 Torx screws
- B Cover of motor

With a screwdriver to fasten three Torx screws M4\*8 on the cover hole and the connector interface together. Make sure to over all the cable. The locking torque is 1.5 N.m.

## 6.3.5 Chain Wheel Installation

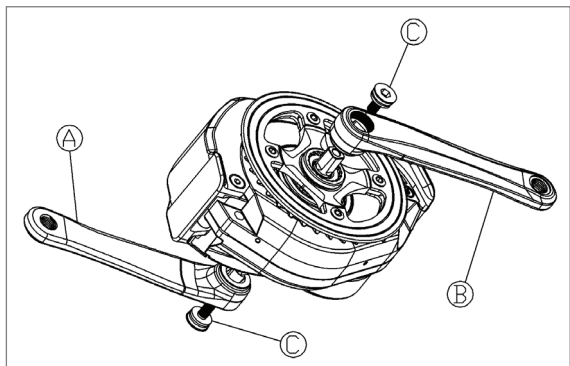


- A Chain wheel
- B Lock ring
- C Special tools

Put the chain wheel onto the spline shaft of the drive unit. Install the lock ring by hand, use a special tool to fasten the lock ring onto the spline while firmly press the left crank. Torque: 35 N.m.

**!** An impact wrench cannot be used.

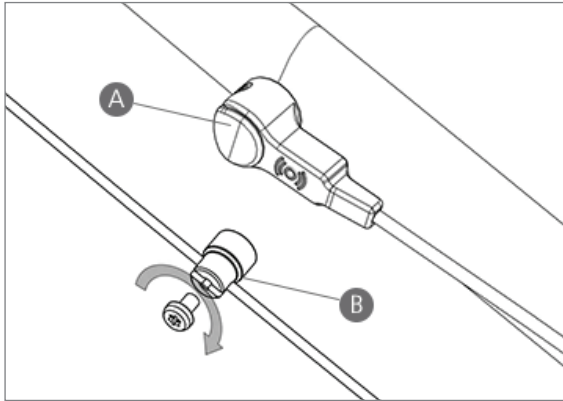
## 6.3.6 Crank Installation



- A Left crank
- B Right crank
- C Screws for the crank

Mount right crank on the right shaft, with internal hex wrench fasten the lock screws C (M8) on the shaft (torque 35-40 N.m) . Same way will left crank mount on the shaft (guarantee left and right crank parallel).

### 6.3.7 External Speed Sensor Installation



- A Speed sensor
- B Magnet for the speed sensor

Fasten the mounting screws through the speed sensor and with a cross screwdriver. Tightening the speed sensor onto the frame. Then place the rubber seal on the speed sensor hiding the screw. Torque requirement: 1.5-2 N.m.

(Note: Please make sure the gap between the speed sensor and the magnetic unit is between 10 and 20 mm. When the magnet is not the correct distance, this can cause Error 21)

Now place the magnet on the spoke of the wheel ensuring it is aligned to the middle of the speed sensor. And with a star key tighten the magnet in place. Torque requirement: 1.5-2 N.m.



## 6.4 MAINTENANCE

---

- Maintenance must be carried out by authorized personnel with the correct equipment.
- Do not disassemble the motor.
- Do not use thinners or other solvents to clean the components. Such substances can damage the surfaces.
- Avoid water submerging, to keep the components protected.
- Avoid using high-pressure cleaning jets.
- For prolonged storage, turn off the battery and avoid storing near heat sources.

