

6 USER MANUAL FOR M510 (MM G522.250.C)



CONTENT

6.1 Introduction	2
6.2 Specifications.....	3
6.2.1 Surface.....	3
6.2.2 Storage Information.....	3
6.3 Maintenance.....	4

6.1 INTRODUCTION



- **Product Model**

MM G522.250.C

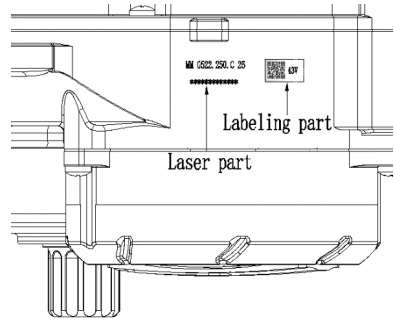
- **Scope of Application**



Only apply to electric powered bicycles, and specifically designed or licensed for pedelec. It is suitable for mountain bikes. It should not be used for competition or other commercial purposes.

- **Identification**

There are the unique identification of the product on the housing, as shown in figure:



Note: Contents in Label part are important information of this product. Please keep them properly for updating of software or providing after-sales service.

6.2 SPECIFICATIONS

① Motor model: MM G522.250.C

Rated power (W)	250
Rated voltage (V)	36 / 43 / 48
Waterproof	IP65
Certification	CE / ROHS / EN14766
Outdoor Temperatures	-20 C~45 C

6.2.1 Surface

Shockproof black coating

6.2.2 Storage Information

The pedelec should be stored in a ventilated humid and dry room. Avoid storing the pedelec near strong magnetic objects.

6.3 MAINTENANCE

- Maintenance must be carried out by authorized personnel with the correct equipment.
- Do not disassemble the motor.
- Do not use thinners or other solvents to clean the components. Such substances can damage the surfaces.
- Avoid water submerging, to keep the components protected.
- Avoid using high-pressure cleaning jets.
- For prolonged storage, turn off the battery and avoid storing near heat sources.